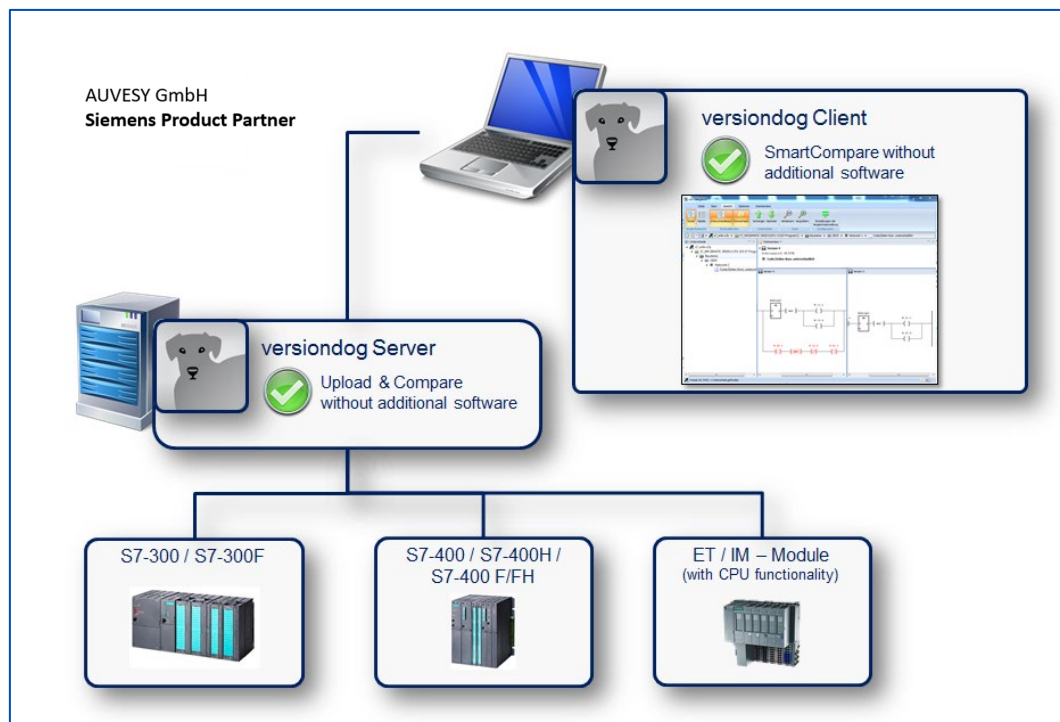


Factsheet

SIMATIC STEP 7 from Siemens



SIMATIC STEP 7 from Siemens

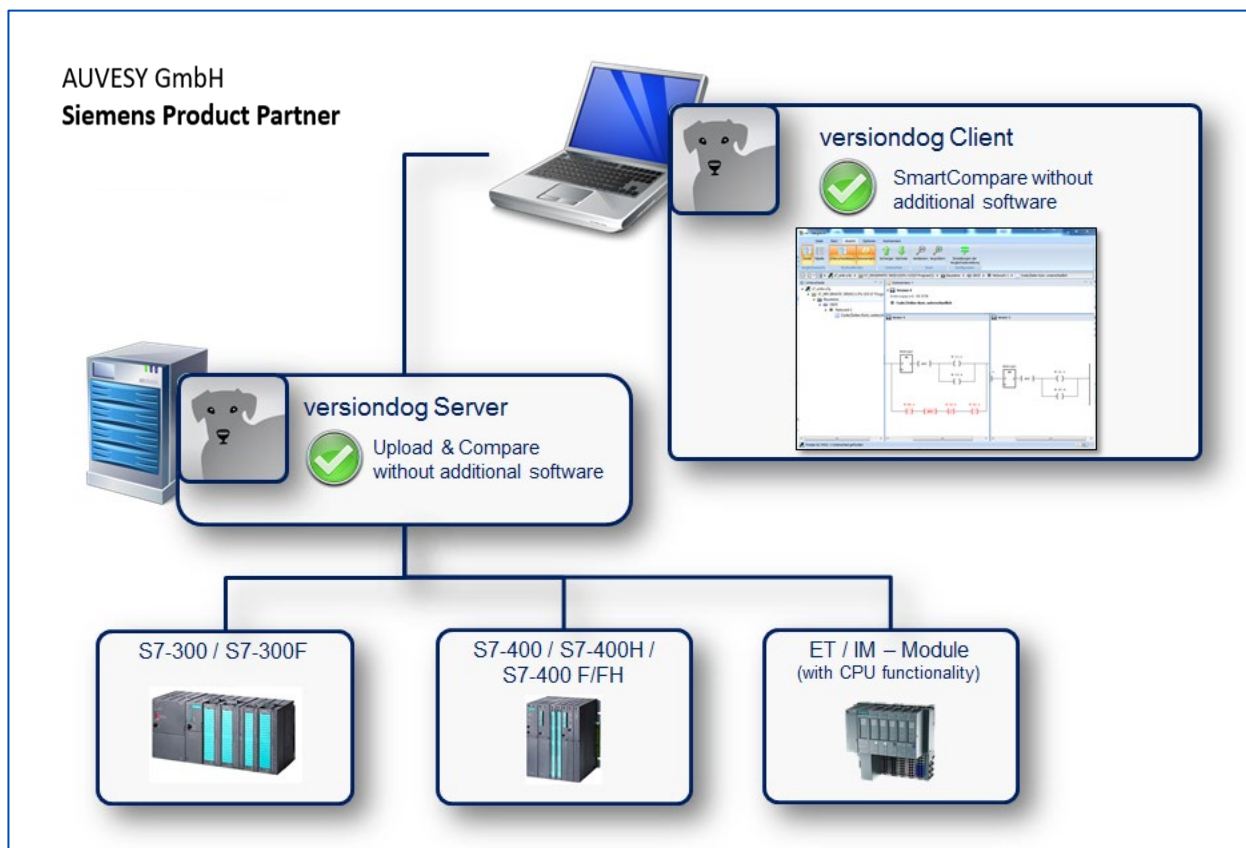
versiondog – For more Efficient Production

versiondog is the leading version control and data management software solution for automated production. It makes tracking changes and safeguarding data significantly more efficient.

versiondog brings order and clarity where project data needs to be continually changed and made available from a central source. The increased safety, security and certainty provided by this software system quickly results in measurably increased productivity. versiondog makes it easy for you to optimize the interplay between all your different types of robots, controllers, field devices, drives, programming languages, file formats and software applications.

This data management system gives you ultimate data traceability, minimizing your risks and costs, and saving you time and effort.

Support for SIMATIC STEP 7 Projects



SIMATIC STEP 7 from Siemens

Integration

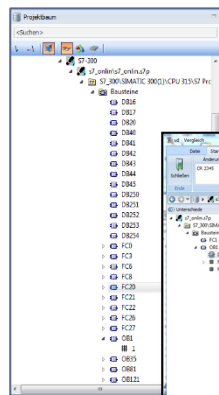


Fig. 1

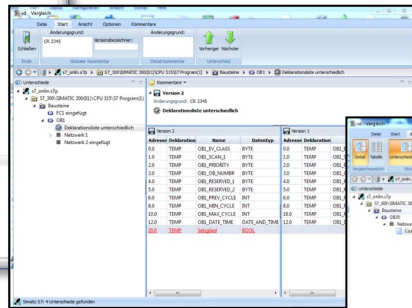


Fig. 2

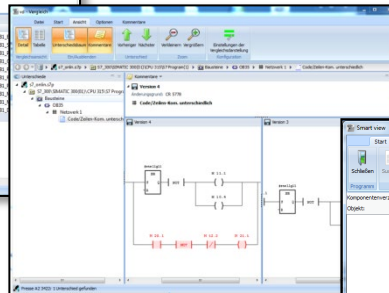


Fig. 3

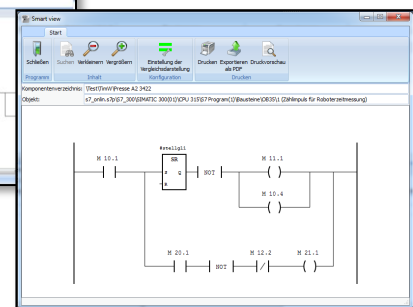


Fig. 4

- Fig. 1: STEP 7 project in versiondog project tree
- Fig. 2: Detailed comparison of declaration lists
- Fig. 3: Detailed graphical comparison for a network
- Fig. 4: Direct display of program information in SmartView (no additional editor necessary)

Features and Functions

AUVESY is a Siemens Product Partner for SINUMERIK systems	✓
Integrated STEP 7 project tree	✓
Detecting the differences between the backup and the version. Detecting the differences between a backup and the previous backup.	✓
Clear presentation of complete change history	✓
Detailed graphical comparison	✓
Automatic backup for disaster recovery	✓
Support for STEP 7 multiprojects	✓
Combined support for WinCC and WinCC flexible	✓
Supported controllers: <ul style="list-style-type: none"> - S7-300 - S7-300F - S7-400 - S7-400H - S7-400F/FH - ET / IM modules with CPU functionality 	✓
Compatible with <ul style="list-style-type: none"> - Siemens PCS7 - IBH S7 for Windows - VIPA - DELTA LOGIC 	✓
Custom component type for STEP 7	✓
Tutorial available in versiondog INFO	✓

SIMATIC STEP 7 from Siemens

System Requirements

For current system requirements, please visit versiondog INFO at www.versiondog.info/en or contact us at info@auvesy.com.

More Information

AUVESY Inc

Tel. +1.616.888.3770

Email info@auvesy.com

Web www.auvesy.us